

Vileda Professional – a part of the Freudenberg Group

Vileda Professional provides innovative cleaning solutions and systems for professional users in various application areas, such as General Building, Healthcare, HoReCa and Controlled Environment. With sales offices in all major European countries, in North America and Asia – and with a wide net of representatives – we are well located around the world.

Vileda Professional belongs to the Freudenberg Group – a diversified family-run global company, headquartered in Germany.



Helping you make a difference.

Vileda Professional

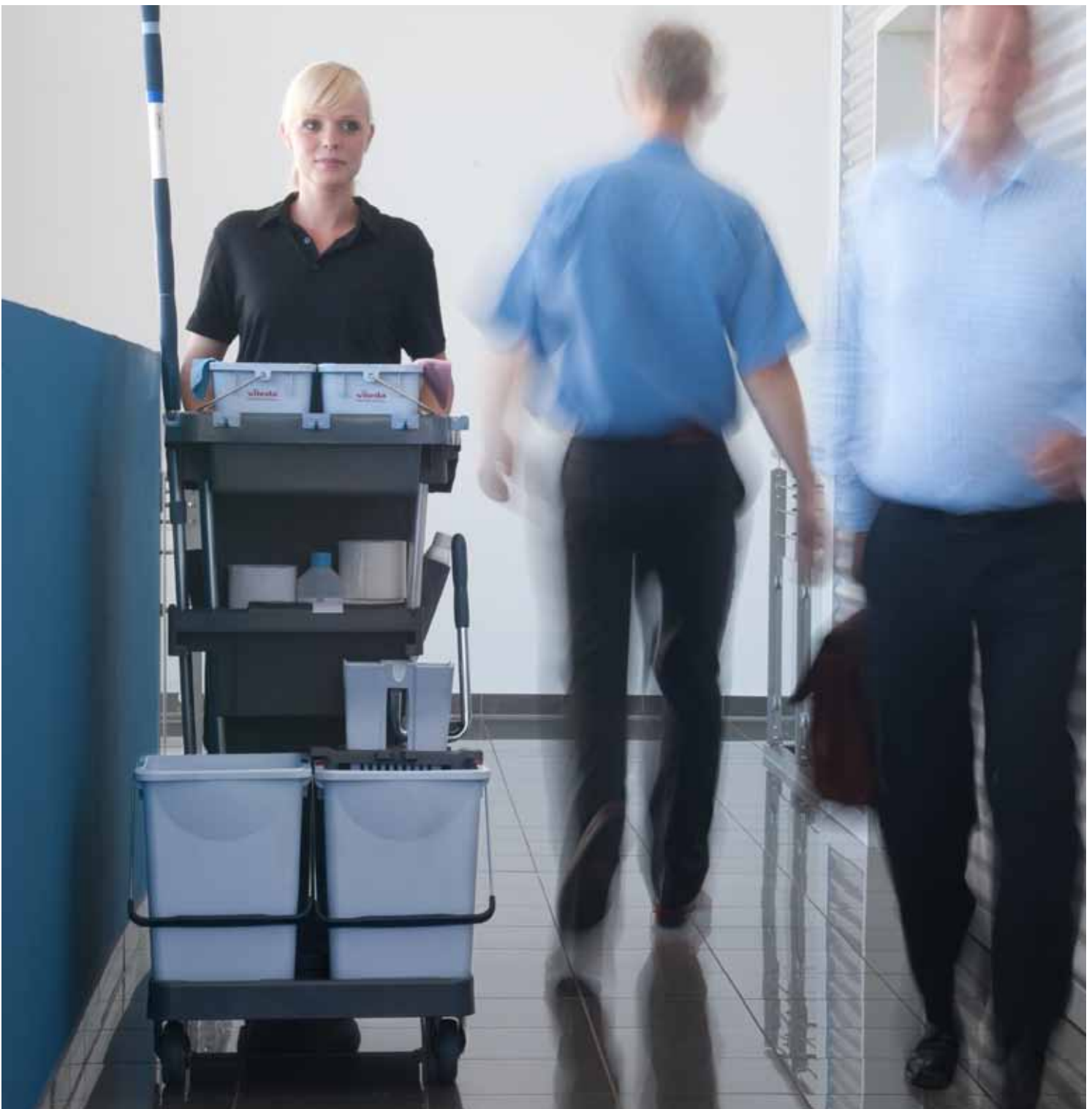
Freudenberg Home and Cleaning Solutions GmbH.
Im Technologiepark 19, D - 69469 Weinheim
www.vileda-professional.com

A Company of the
Freudenberg Group



VoleoPro Trolley

Big in action, small in size.



Don't let the size fool you!

You need to carry a range of cleaning utensils around. Ideally a complete cleaning cabinet. On the other hand you need a flexible and compact trolley, discrete when in use. Plus it fits into the smallest of storage rooms.

The VoleoPro trolley from Vileda Professional is your perfect solution that grows with your demands. Big on the inside, small at the outside.

When size and performance matters

With a size of 0.5 m², the VoleoPro trolley is ideal when you need to carry a wide range of cleaning utensils, while keeping the footprint as small as possible.

Being probably the most cleverly designed trolley you've ever seen, one of many advantages is that you don't have to leave vital utensils behind – in spite of the compact size.

Add what you need for the daily cleaning work – VoleoPro has been designed to perfectly fit and carry all Vileda Professional's floor cleaning systems and much more.

Now it's clear – you'll see that VoleoPro is big in performance, but still compact in size.

"Clean" exterior

One of the major advantages is that all large cleaning tools and accessories are kept within the trolley's outer limits. With nothing sticking out, the trolley is really designed for tight spots. Plus it is really easy to manoeuvre – and to store – where space is limited.

Ready to clean, out of the box

Another major advantage is the quick and easy assembly.

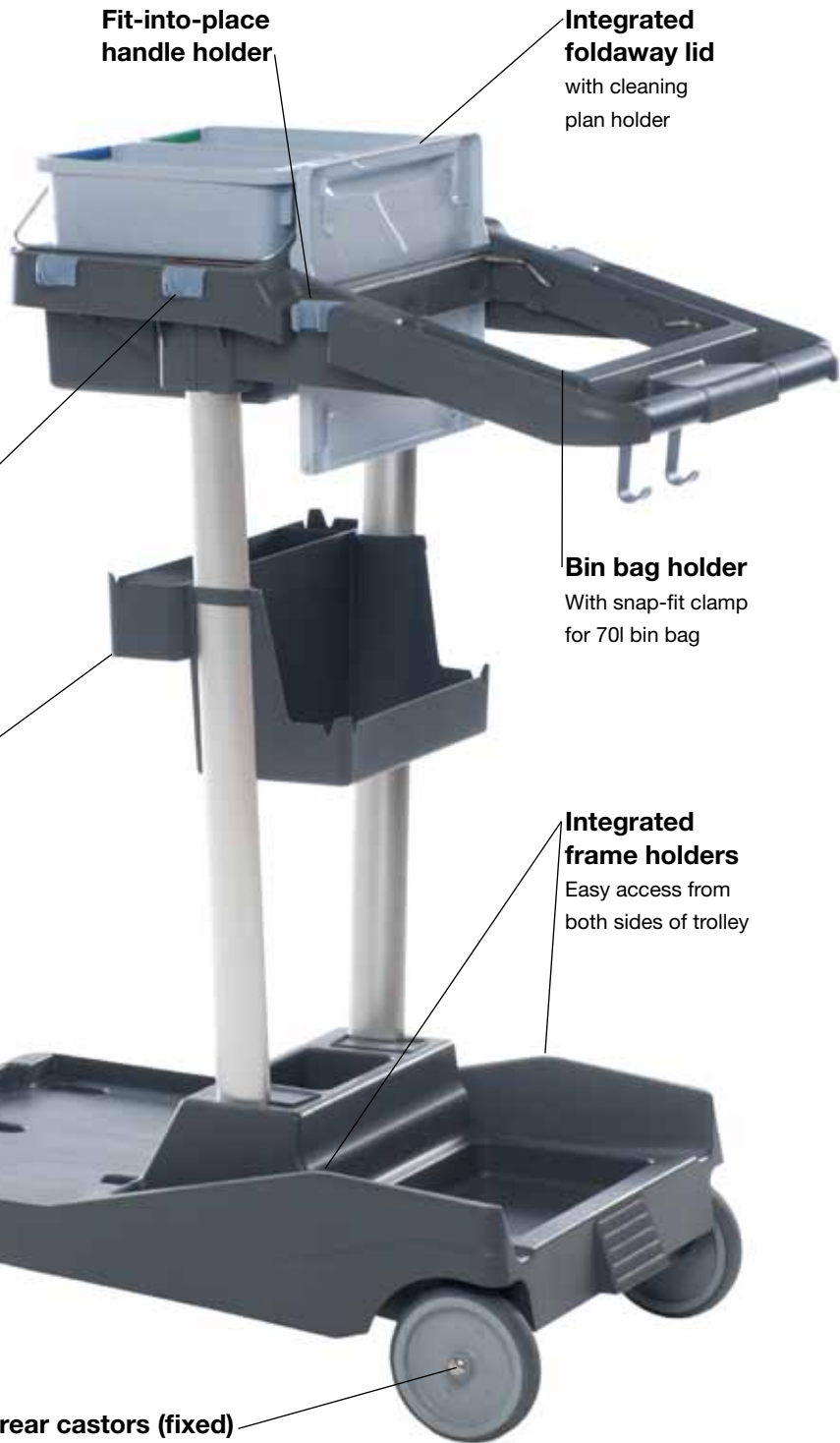
Just open the flat box, take out the VoleoPro parts, spend a couple of minutes of putting the parts together – without tools – and you are ready to go!



Basic



Standard



Hooks and fasteners

Three different types, exchangeable in all positions

Mutli-functional bridge

Box holder and extra storage space, e.g paper

Multi-functional base plate

For a perfect fit to all Vileda Professional floor cleaning systems

Swivel front castors

One optional with brake

Big rear castors (fixed)

For controlled moving and easy passing of small steps



Unique frame holder keeps your mop frame securely in place.



Two snap-in handle holders for long handle equipment.



Bridge – box holder included. Easy changing and opening of boxes.



Bin bag lid – folds away easily and is never in the way when working.



Form-closed fixation of all buckets and boxes. No rattling or tipping.